

Title LNA Reciever		JOHH * * *
Size: A4	Number:9	
Date: 5/20/2019	Time: 10:39:39 PM	
Sheet 9 of 9		
File: C:\Users\Johannes\polybox\PCB_Designs\RADAR\schematics\LNA.SchDoc		



1

2

3

4

A

A

B

B

C

C

D

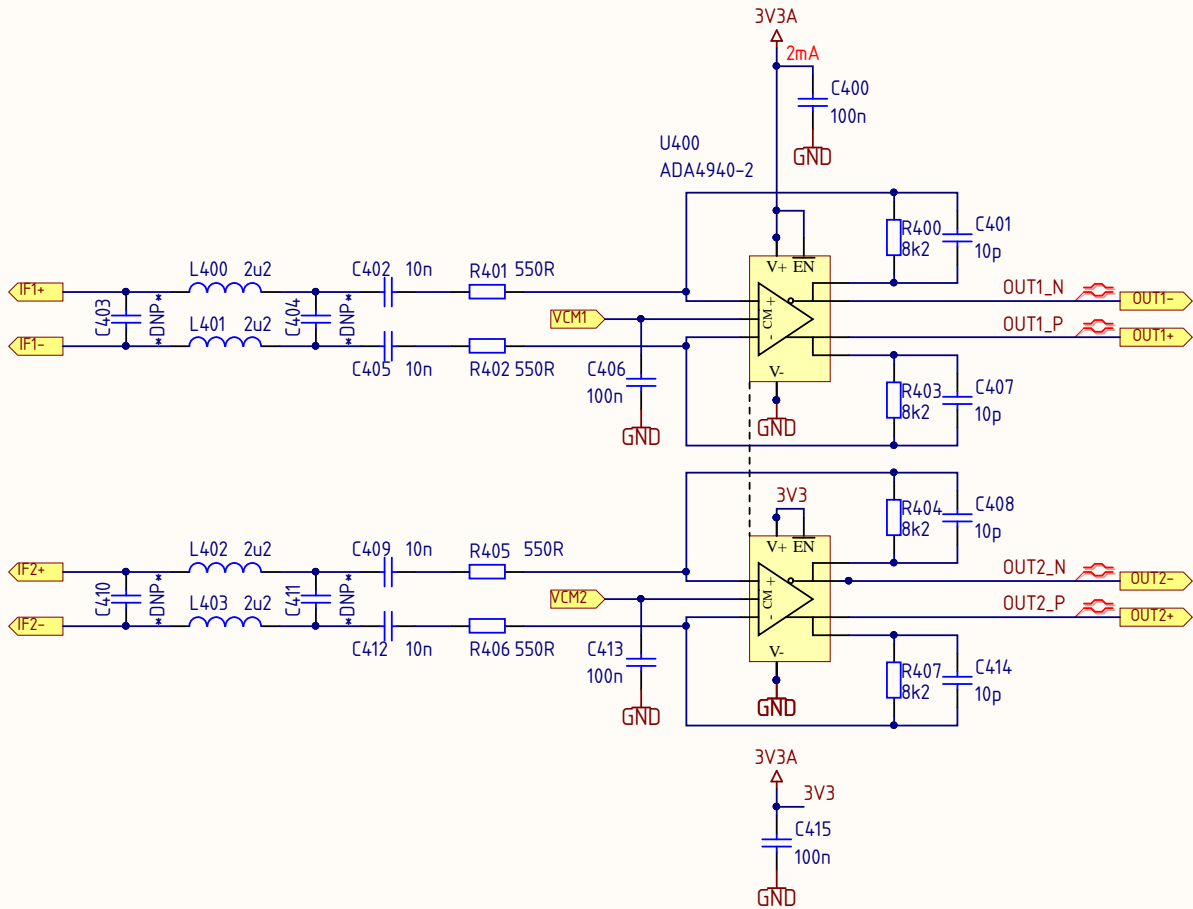
D

1

2

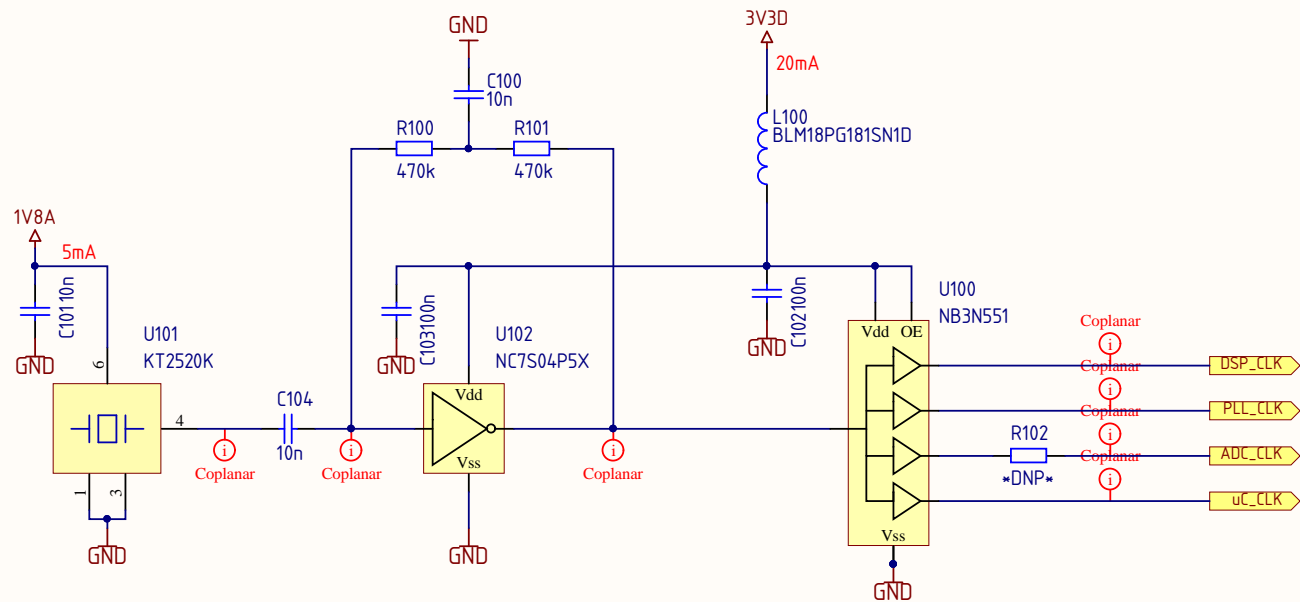
3

4



Title IF Filter		JOHH
Size: A4	Number:9	*
Date: 5/20/2019	Time: 10:39:39 PM	Revision:0.A
File: C:\Users\Johannes\polybox\PCB_Designs\RADAR\schematics\FILT.SchDoc		*





Title Clocking		JOHH	
Size: A4	Number:9	*	
Date: 5/20/2019	Time: 10:39:39 PM	Sheet 9 of 9	
File: C:\Users\Johannes\polybox\PCB_Designs\RADAR\schematics\CLOCK.SchDoc		*	



1

2

3

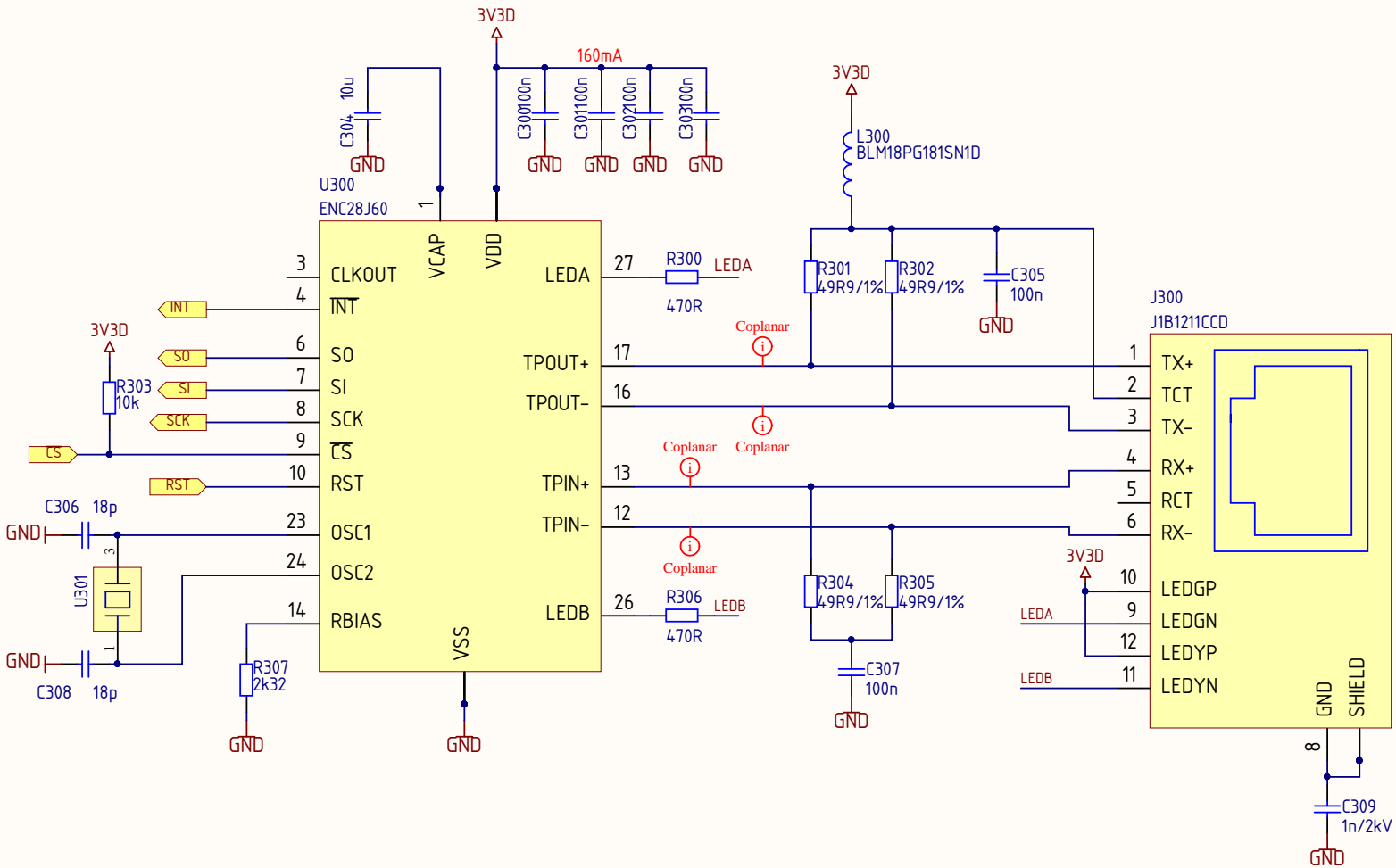
4

1

2

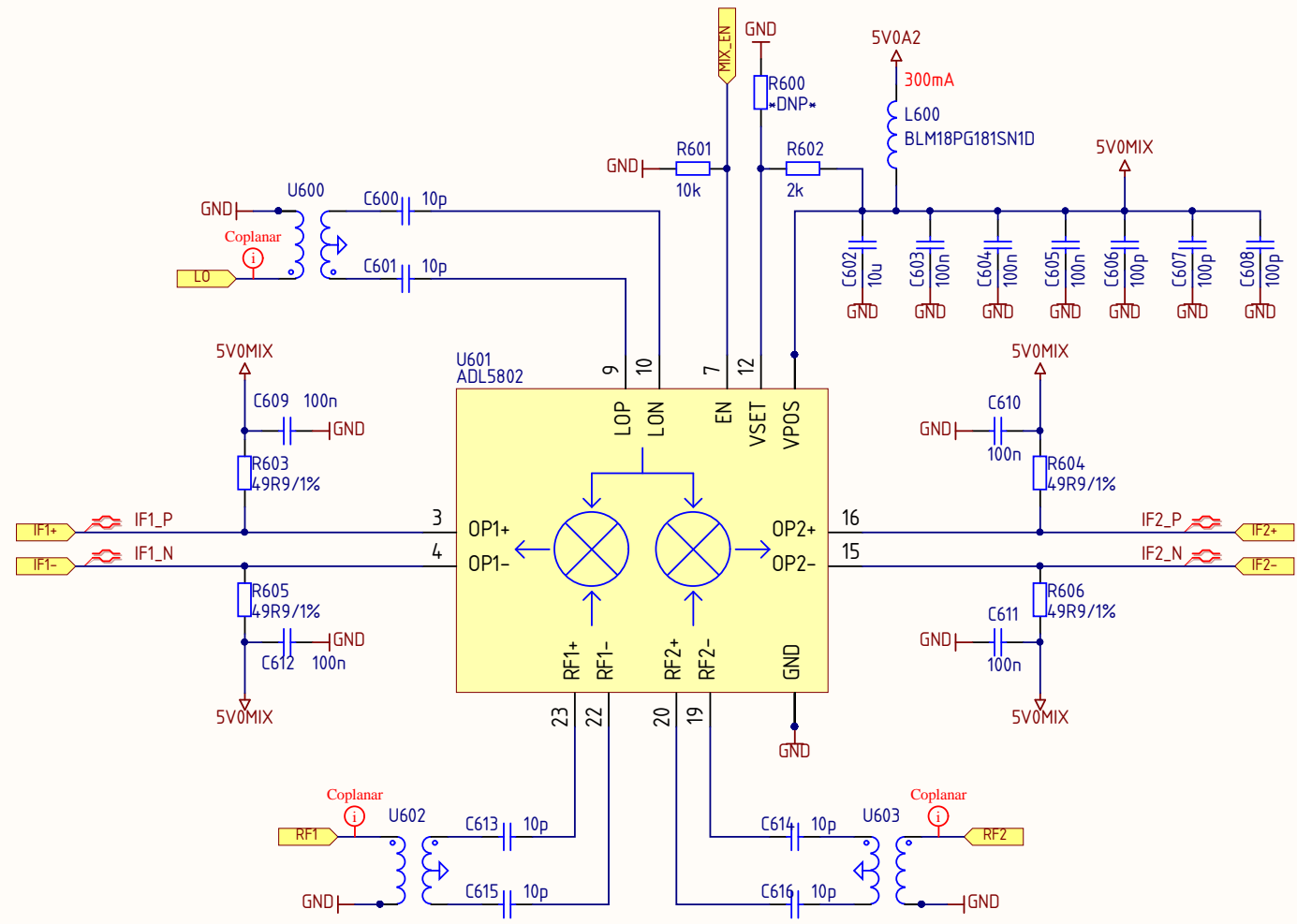
3

4



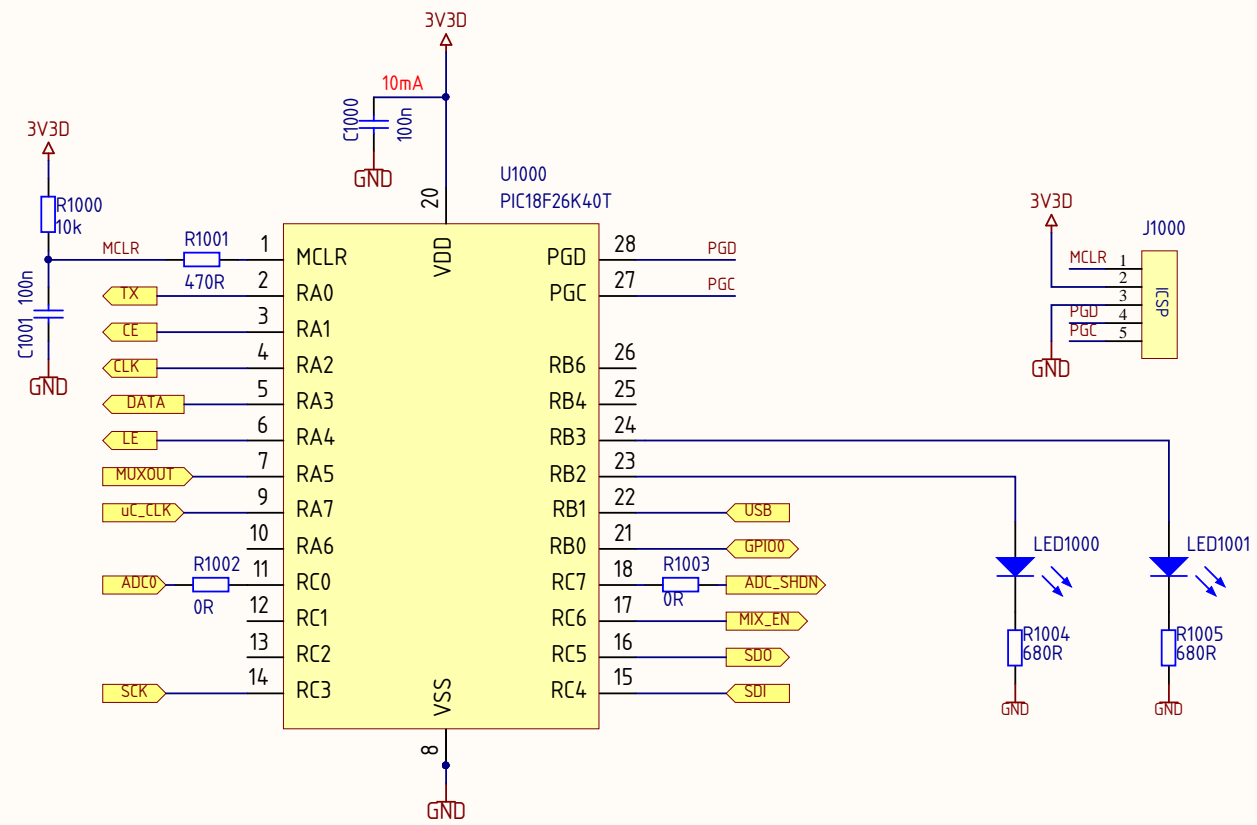
Title Ethernet Controller			JOHH
Size: A4	Number:9	Revision:0.A	*
Date: 5/20/2019	Time: 10:39:39 PM		Sheet 9 of 9
File: C:\Users\Johannes\polybox\PCB_Designs\RADAR\schematics\ETHERNET.SchDoc			*





Title Dual Active Mixer			JOHH
Size: A4	Number:9	Revision:0.A	*
Date: 5/20/2019	Time: 10:39:39 PM		Sheet 9 of 9
File: C:\Users\Johannes\polybox\PCB_Designs\RADAR\schematics\MIX.SchDoc			*





Title 8bit-Microcontroller			ARTR
Size: A4	Number:9	Revision:0.A	*
Date: 5/20/2019	Time: 10:39:39 PM	Sheet 9 of 9	*
File: C:\Users\Johannes\polybox\PCB_Designs\RADAR\schematics\uC.SchDoc			*



