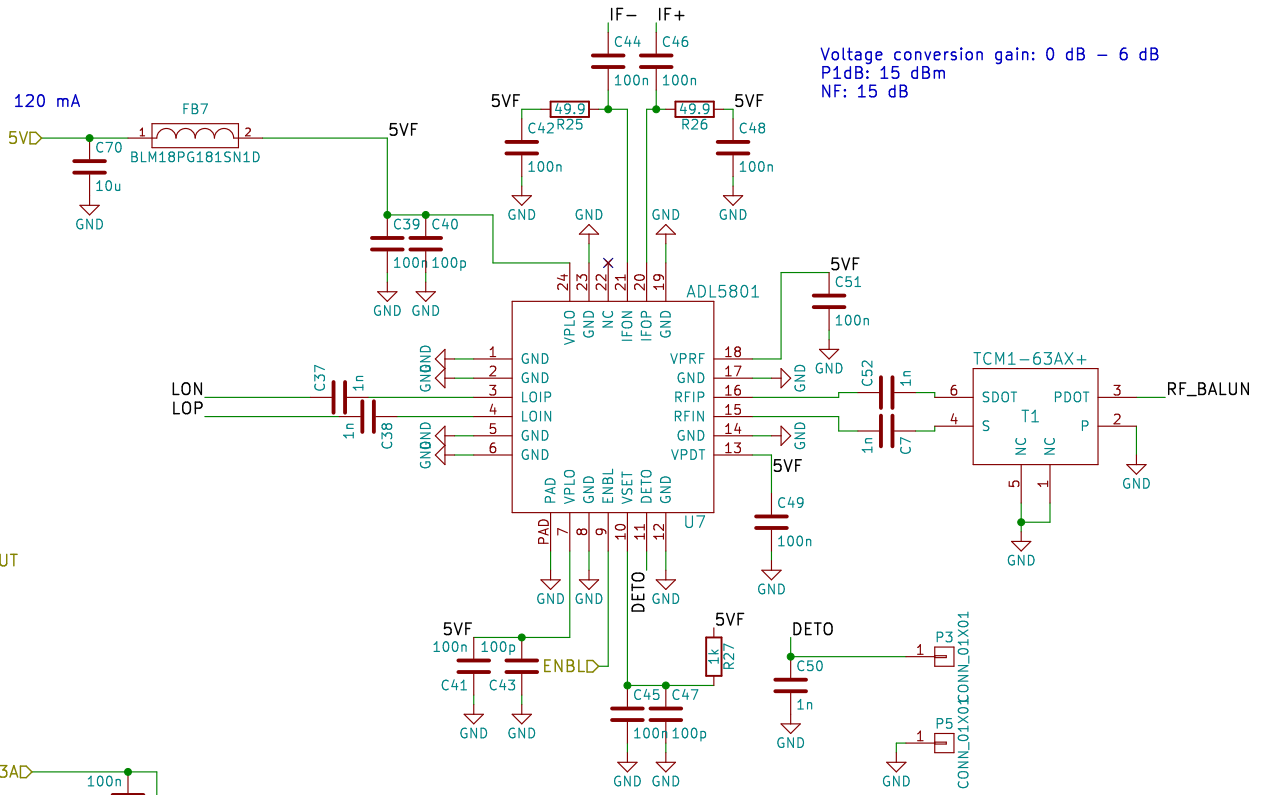
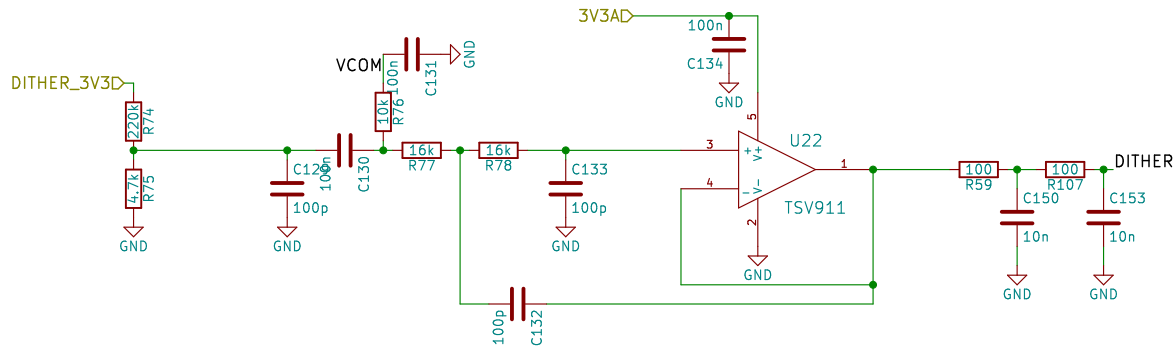
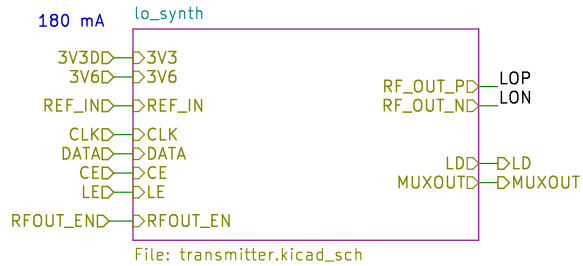
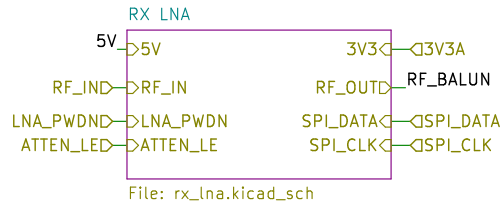
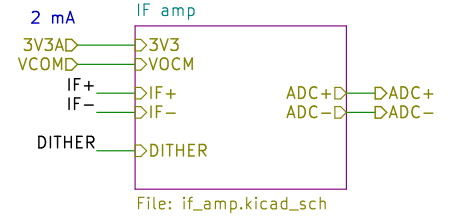
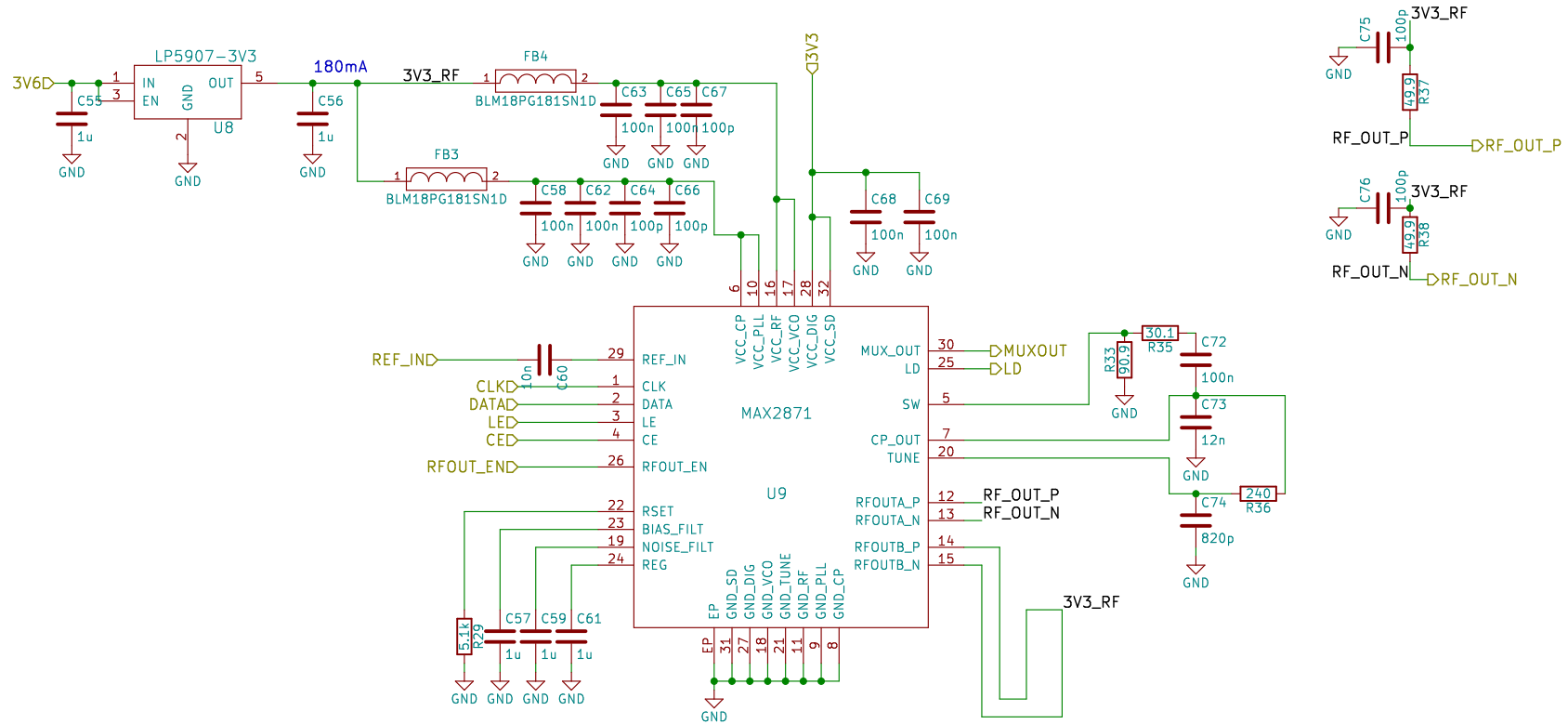


Johannes Herrmann	
Sheet: /	
File: spec_analyzer.kicad_sch	
Title: Spectrum Analyzer	
Size: A4	Date: 2016-07-27
KiCad E.D.A. kicad (6.0.11)	Rev: 1 Id: 1/10



Voltage conversion gain: 0 dB – 6 dB
 P1dB: 15 dBm
 NF: 15 dB





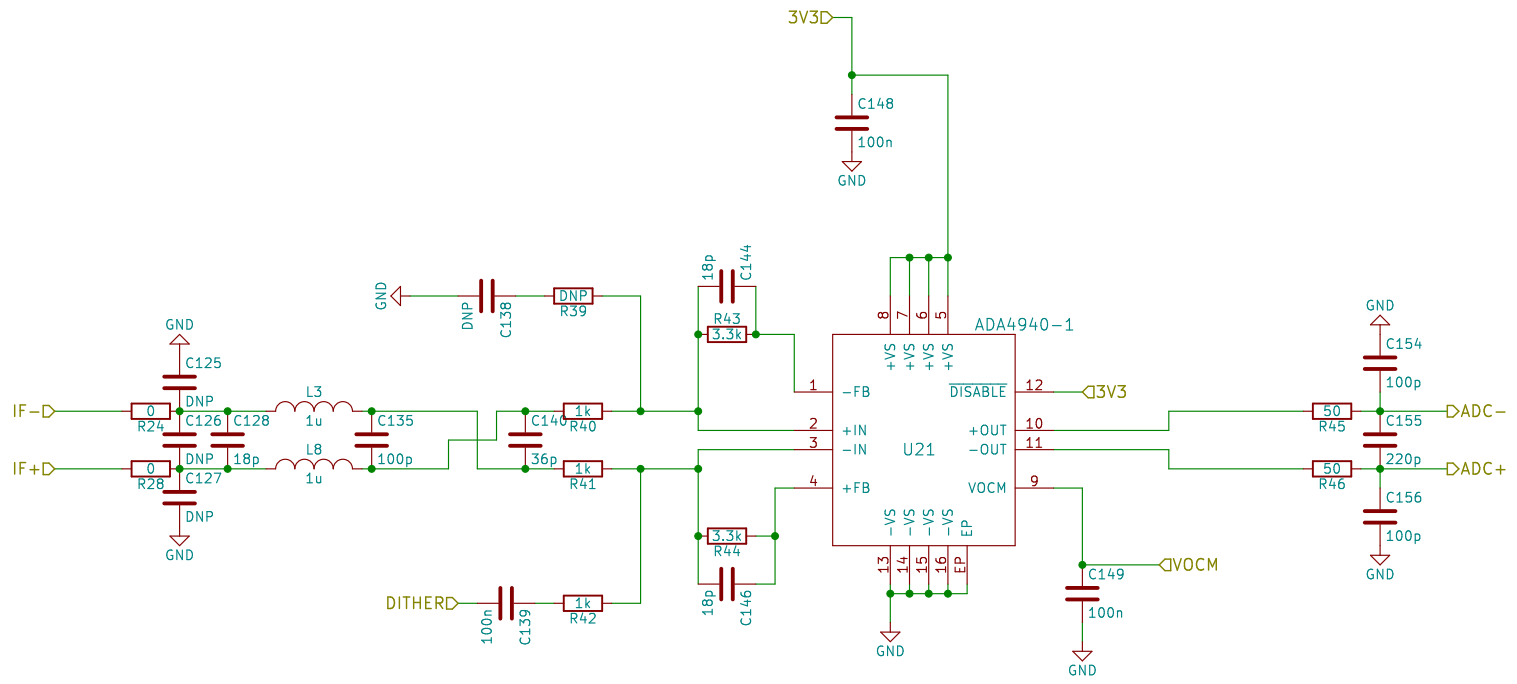
Johannes Herrmann

Sheet: /receiver/lo_synth/
File: transmitter.kicad_sch

Title: LO Synthesis

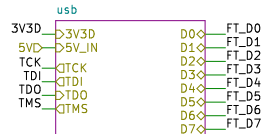
Size: A4 Date: 2016-07-27
KiCad E.D.A. kicad (6.0.11)

Rev: 1
Id: 4/10

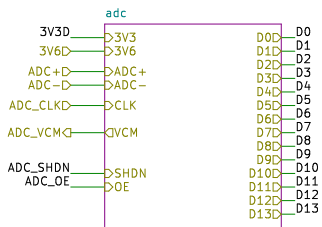


Johannes Herrmann
 Sheet: /receiver/IF amp/
 File: if_amp.kicad_sch
Title: IF Amplifier + Filter

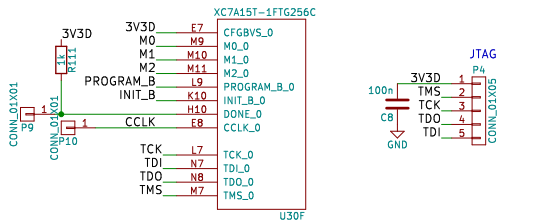
Size: A4	Date:	Rev:
KiCad E.D.A. kicad (6.0.11)		Id: 5/10



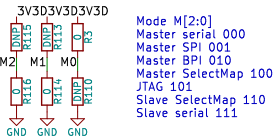
File: usb.kicad_sch



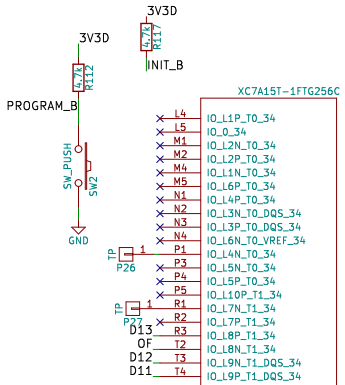
File: adc.kicad_sch



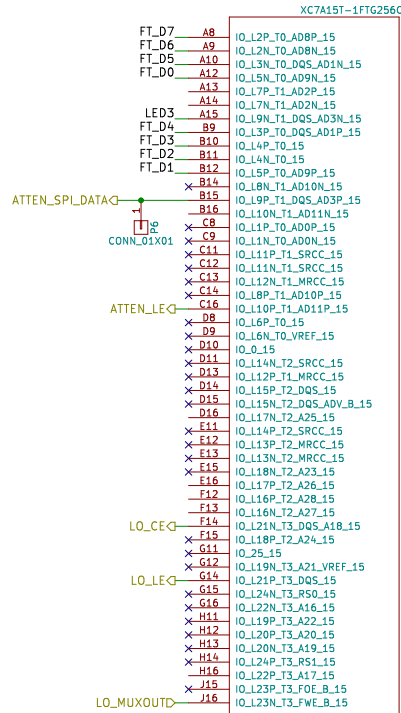
U30F



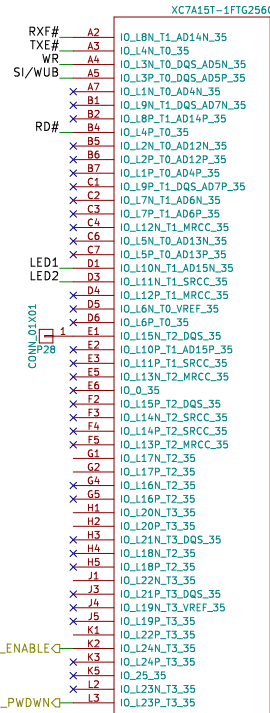
Mode M[2:0]
 Master serial 000
 Master SPI 001
 Master BPI 010
 Master SelectMap 100
 JTAG 101
 Slave SelectMap 110
 Slave serial 111



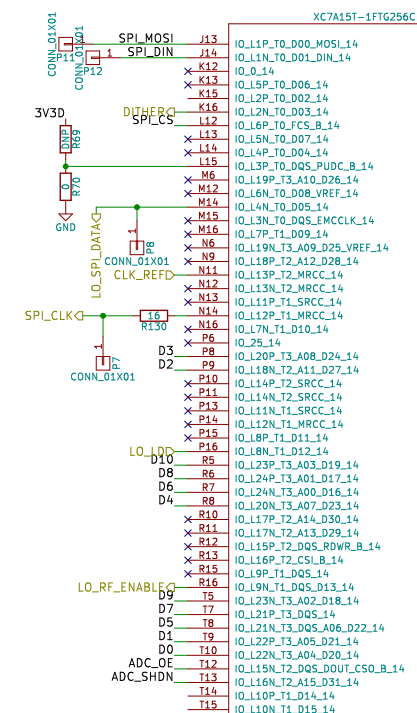
U30D



U30A

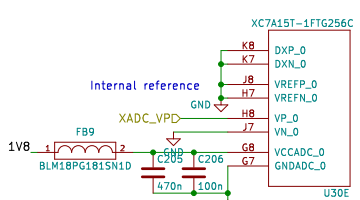
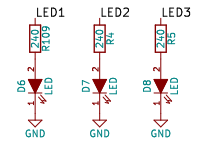
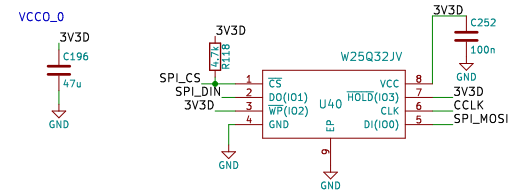
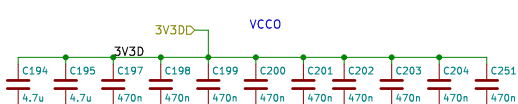
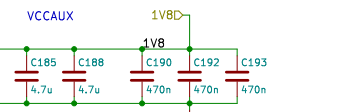
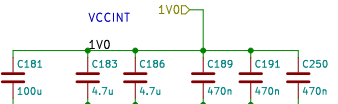


U30B



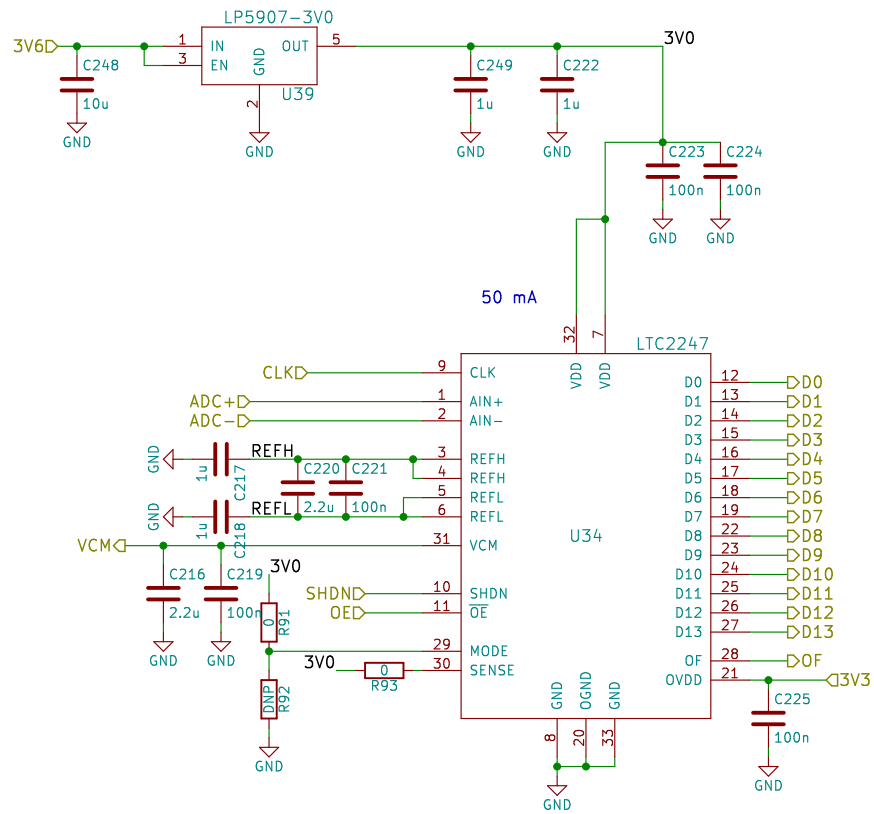
U30C

Power supply ramp time: 0.2 ms - 50 ms
 Constant current 1V0: 97 mA 1V8: 22 mA 3V3: 2 mA
 Power-on current 1V0: Iq + 180 mA 1V8: Iq + 40 mA 3V3: Iq + 40 mA



U30E

Johannes Herrmann
 Sheet: /fpga/
 File: fpga.kicad_sch
Title: FPGA
 Size: A3 Date: Rev:
 KiCad E.D.A. kicad (6.0.11) Id: 6/10



Johannes Herrmann

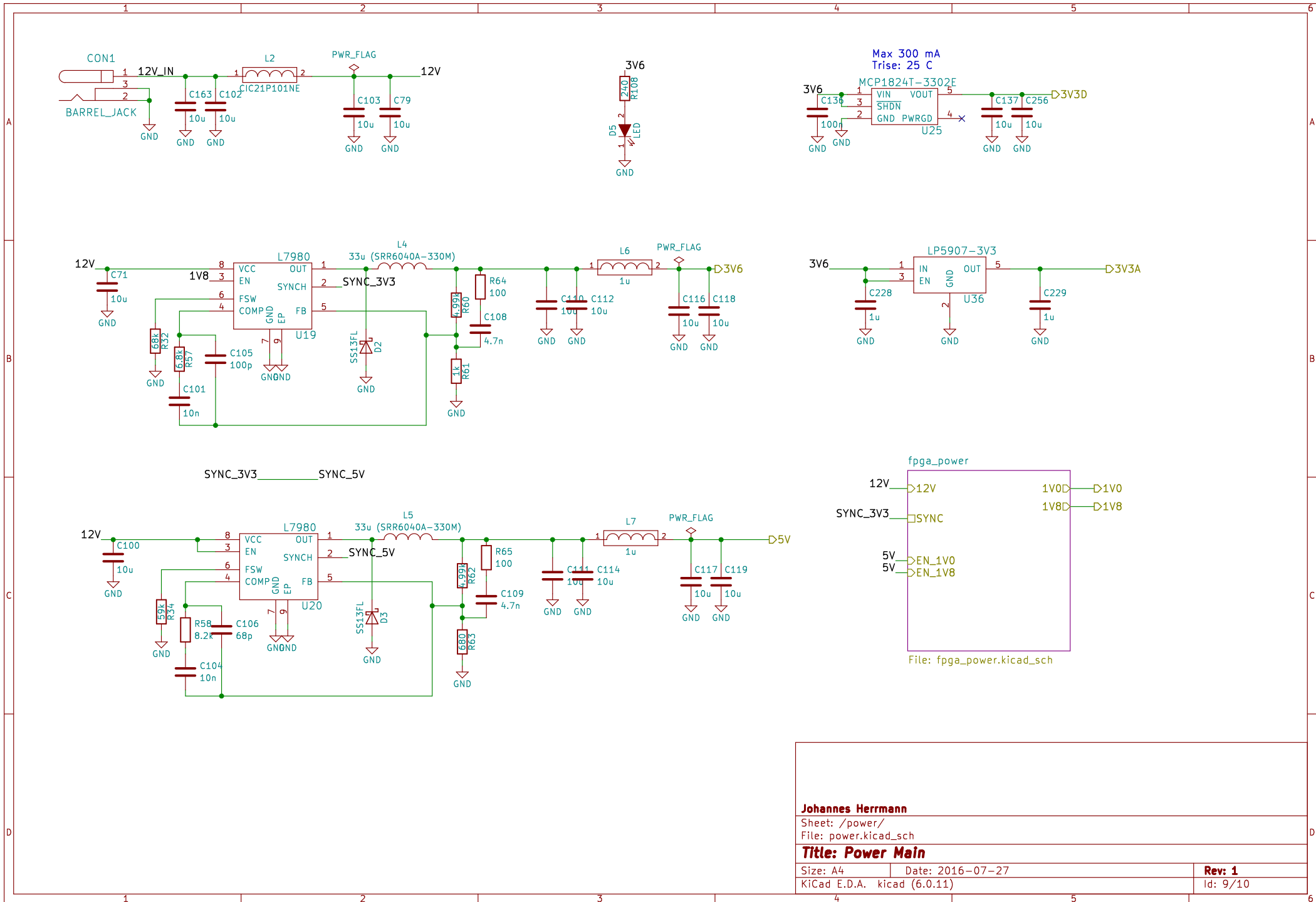
Sheet: /fpga/adc/
File: adc.kicad_sch

Title: ADC

Size: A4
KiCad E.D.A. kicad (6.0.11)

Date:

Rev:
Id: 8/10



Johannes Herrmann

Sheet: /power/
File: power.kicad_sch

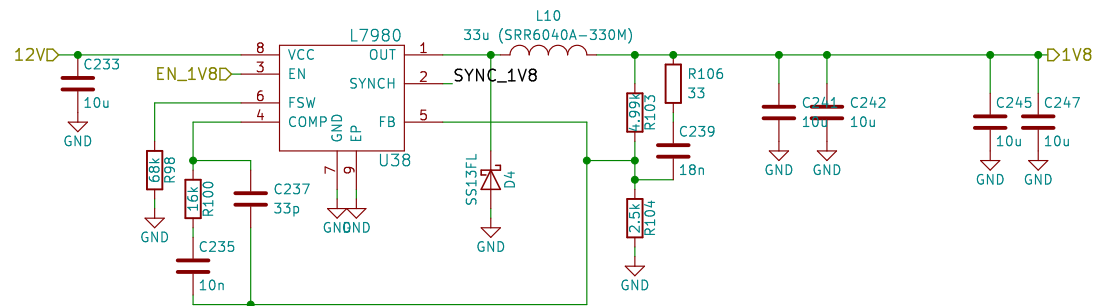
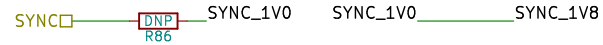
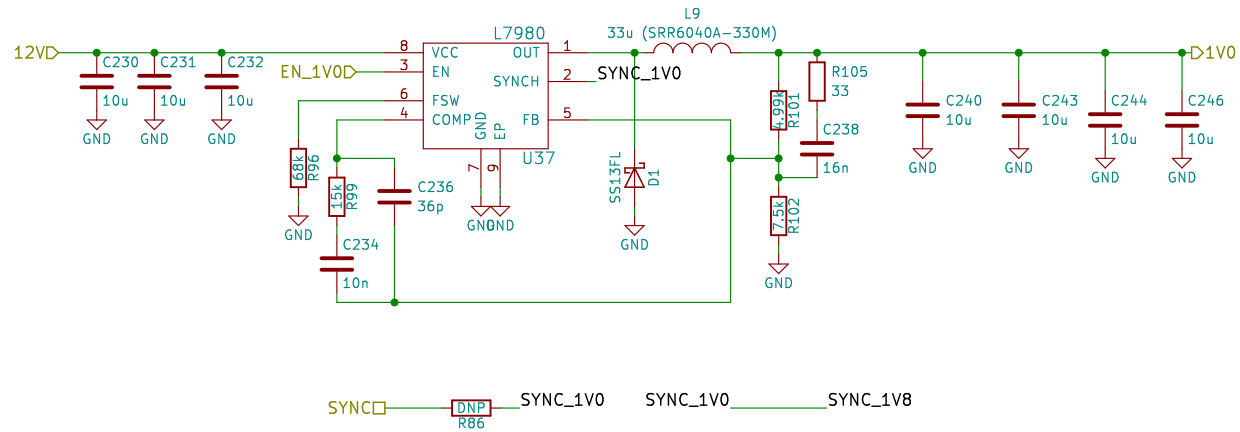
Title: Power Main

Size: A4 Date: 2016-07-27

KiCad E.D.A. kicad (6.0.11)

Rev: 1

Id: 9/10



Johannes Herrmann

Sheet: /power/fpga_power/
File: fpga_power.kicad_sch

Title: FPGA Power

Size: A4 Date:
KiCad E.D.A. kicad (6.0.11)

Rev:
Id: 10/10